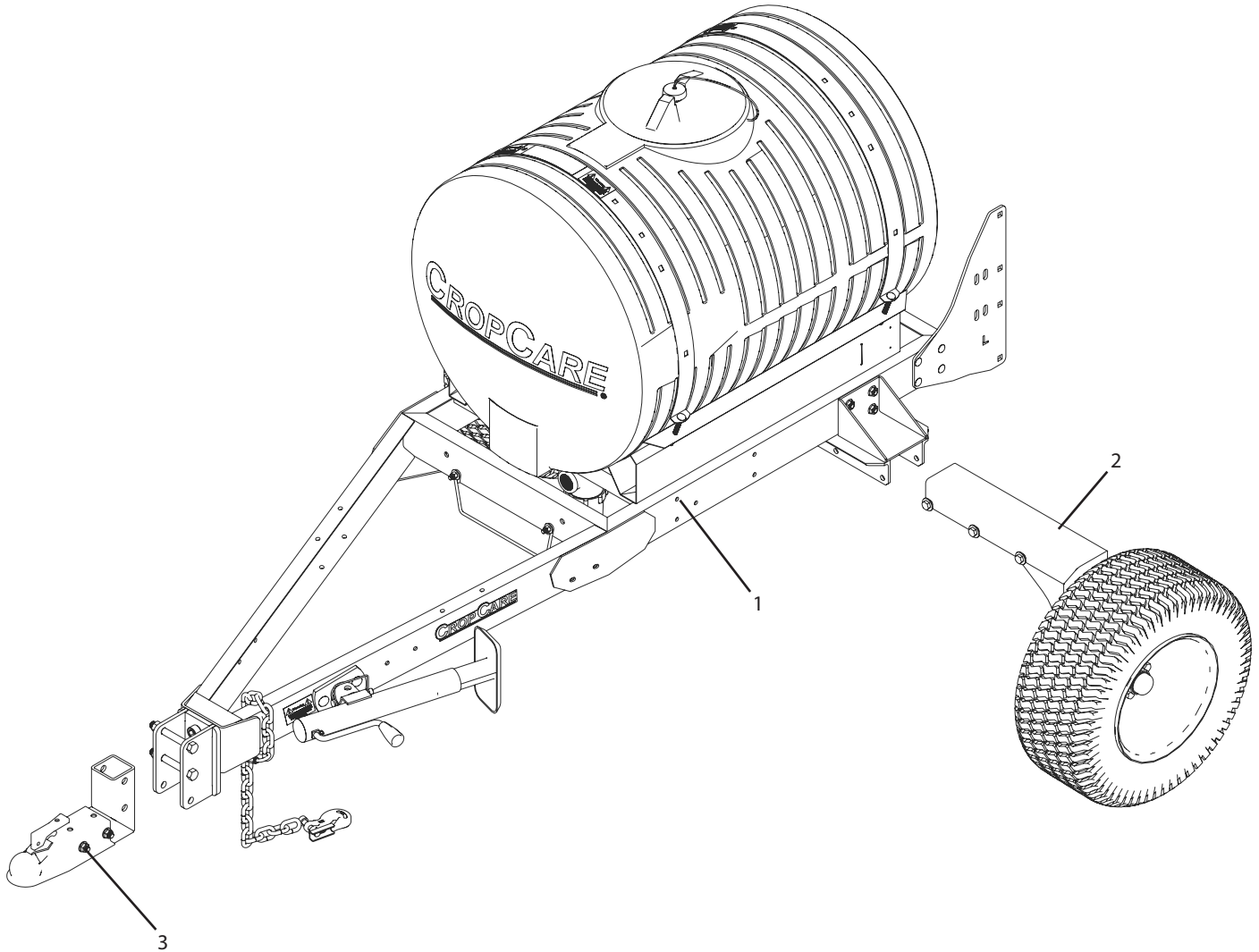


UTX110S Breakdown

110 gallon utility trailer sprayer base unit with single axle

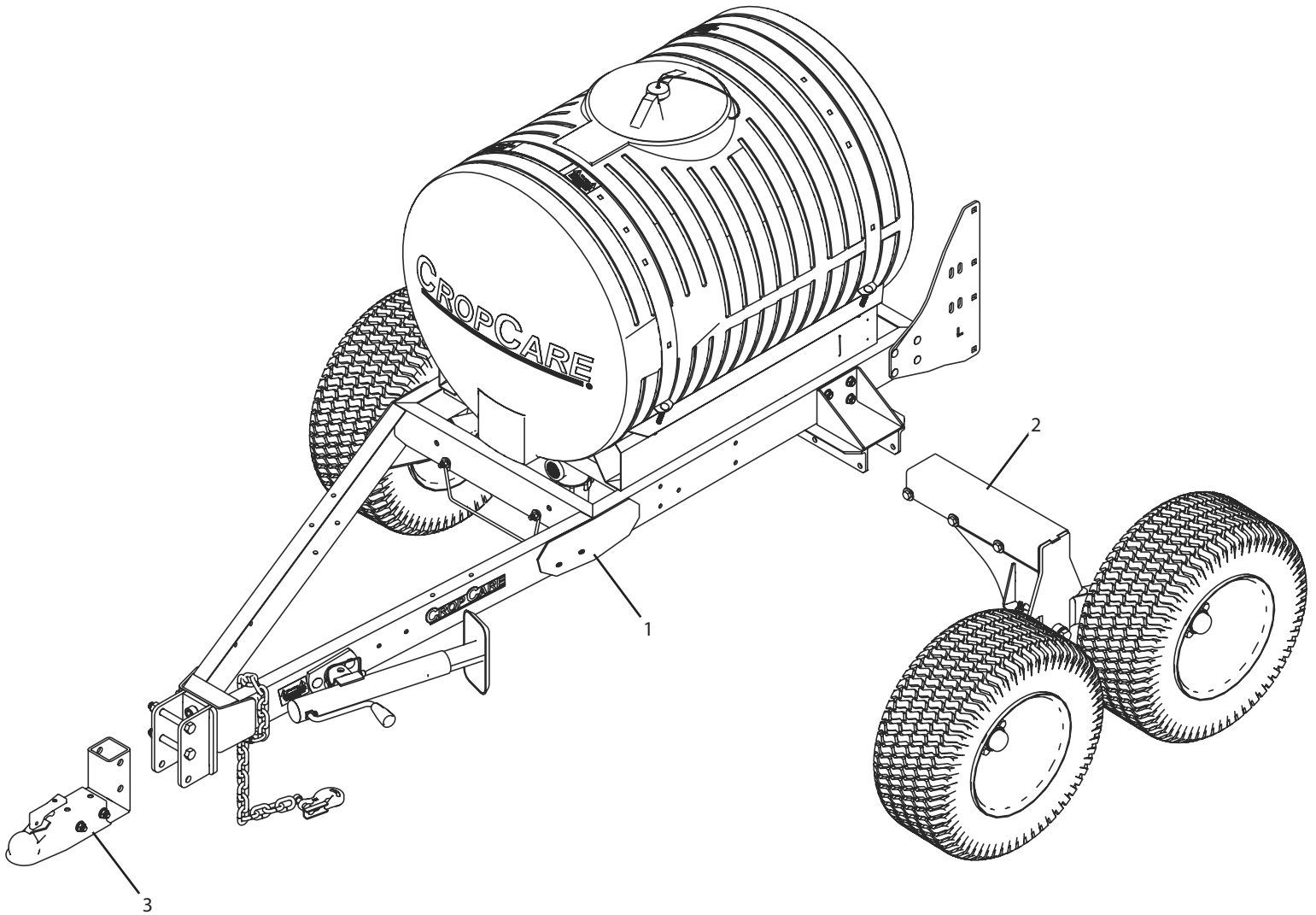


Ref#	Qty.	Part Number		Description
1	1	UTX110	*	Utility Trailer Sprayer, 110 Gallon Base
2	1	AXS-UTX	*	Utility Trailer Sprayer, Single Axle, 1000lb hubs, 23in Turf Tires (2000lb weight rating)
3	1	A261	*	Utility Trailer Sprayer, Ball Coupler Hitch

* See support page for component parts breakdowns.

UTX110T Breakdown

110 gallon utility trailer sprayer base unit with tandem axle

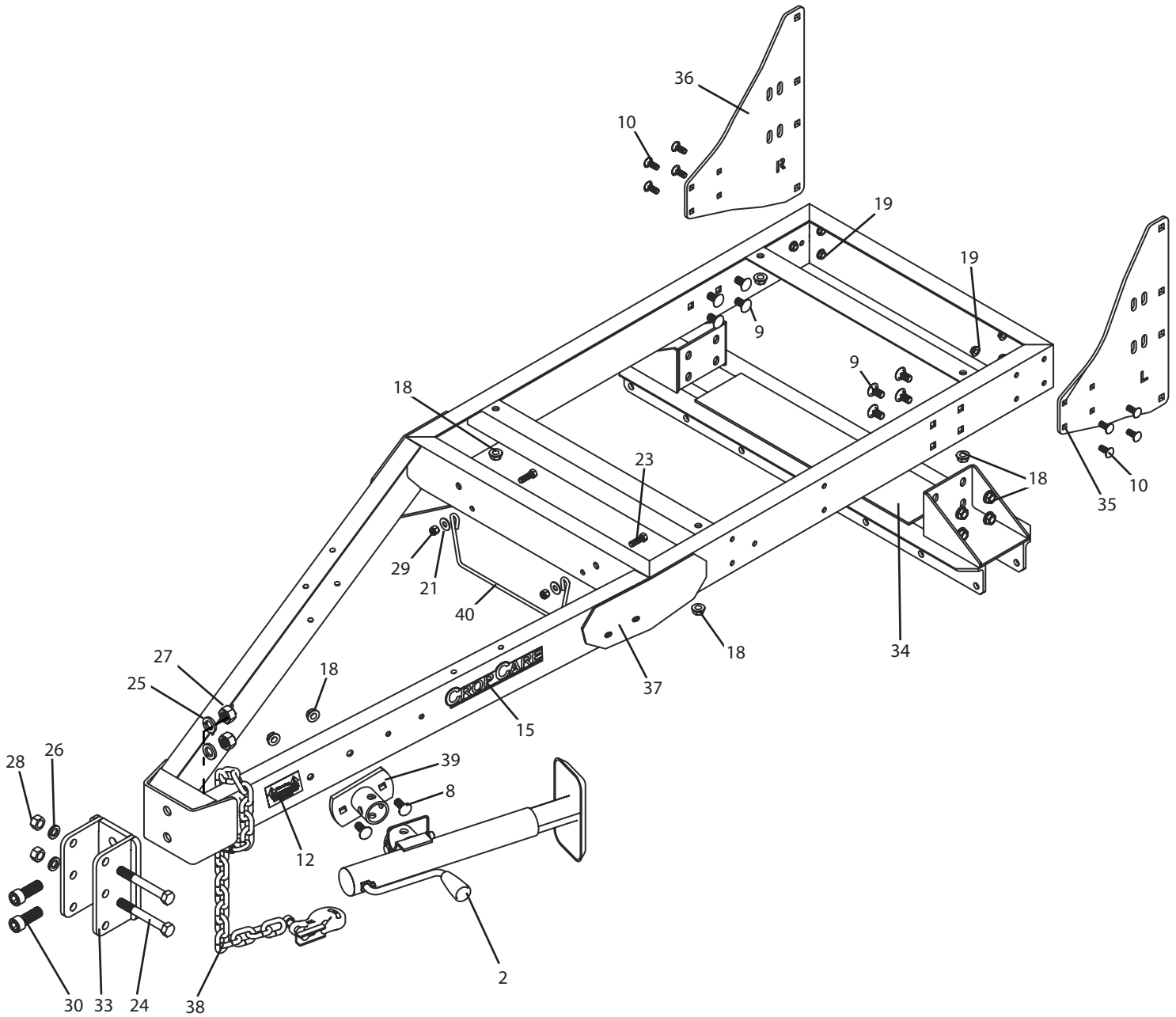


Ref#	Qty.	Part Number		Description
1	1	UTX110	*	Utility Trailer Sprayer, 110 Gallon Base
2	1	AXT-UTX	*	Utility Trailer Sprayer, Tandem Axle, 1000lb hubs, 23in Turf Tires (4000lb weight rating)
3	1	A261	*	Utility Trailer Sprayer, Ball Coupler Hitch

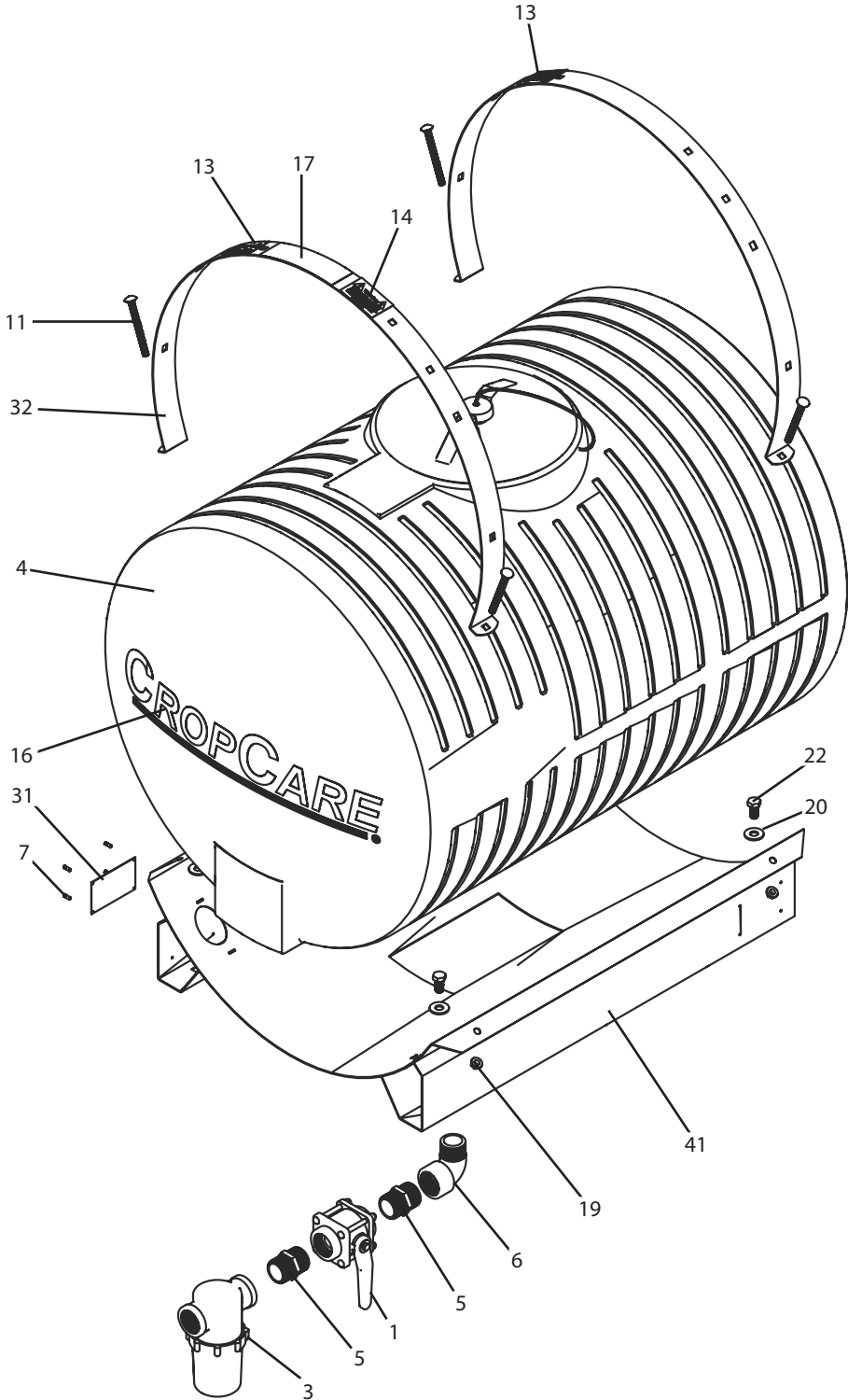
* See support page for component parts breakdowns.

UTX110 Breakdown

Utility Trailer Sprayer, 110 Gallon Base



UTX110 Breakdown



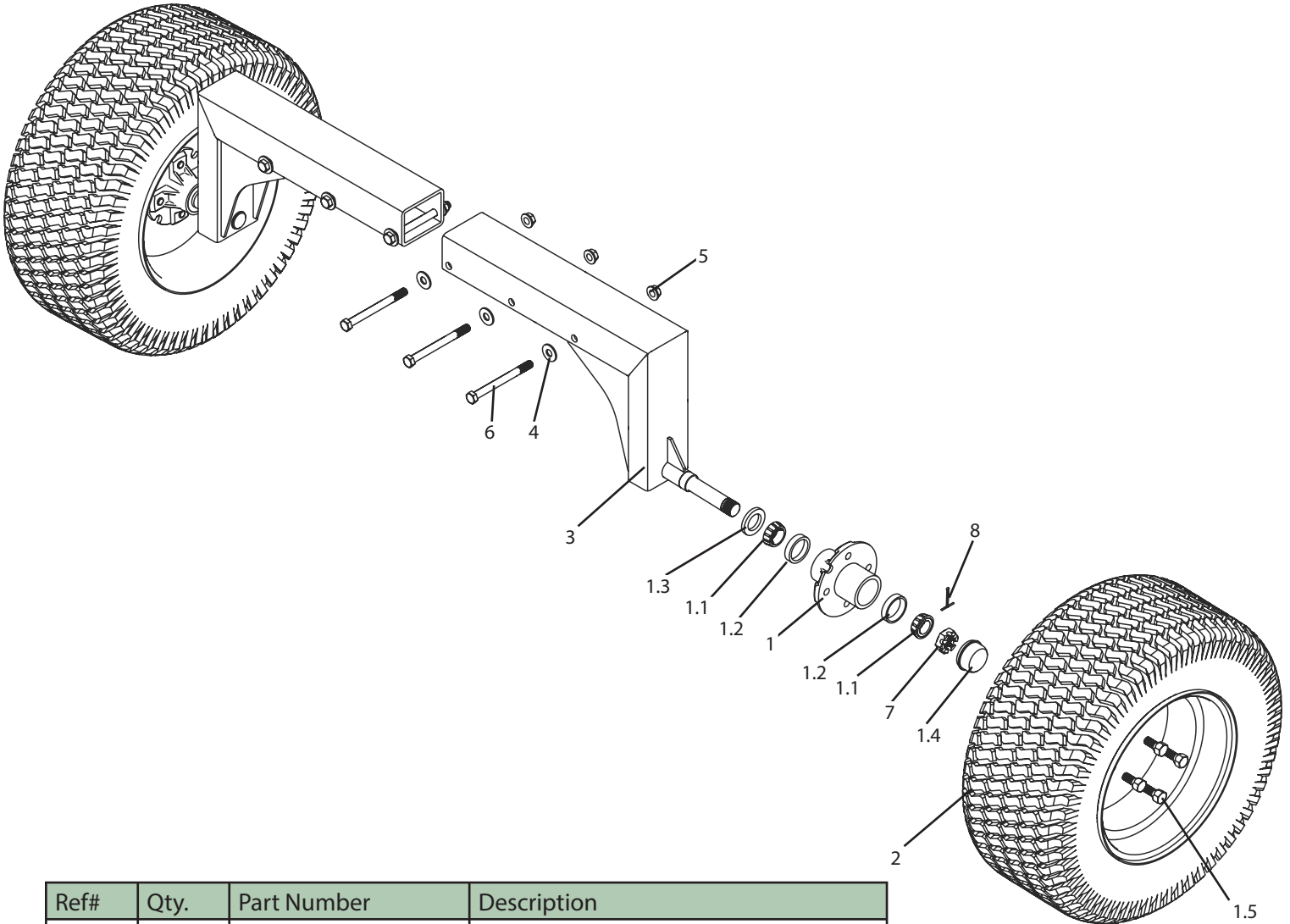
UTX110 Breakdown

Ref#	Qty.	Part Number	Description
1	1	125STD	Valve, Ball Bolted 1-1/4" Std Port
2	1	158109	Jack, 2000 Lb 10" Side Wind Weld-On Tube
3	1	33500072A	* Strainer, Line Poly 1-1/4" FPT 50 Mesh Screen EPDM Gasket
4	1	47194	* Tank, 110 Gallon w/ 2" Sump Yellow
5	2	8M114	Nipple, 1-1-4" MPT x Close Sch 80 Poly
6	1	8SE114	Elbow, Street 90° 1-1/4" NPT Sch 80 Poly
7	4	BTT44	Rivet, Pop 1/8" Dia. x .188" x .250" Grip SS
8	2	CB12*114G5	Bolt, Carriage 1/2-13 x 1-1/4" Gr 5
9	8	CB12*1G5	Bolt, Carriage 1/2-13 x 1" Gr 5
10	8	CB38*1G5	Bolt, Carriage 3/8-16 x 1" Gr 5
11	4	CB38*4G5	Bolt, Carriage 3/8-16 x 4" Gr 5
12	1	DE136	Decal, Disconnecting Sprayer Warning
13	2	DE141	Decal, Warning No Climbing On Sprayer
14	1	DE39	Decal, "Warning Read Owner's Manual
15	2	DE46	Decal, CropCare Logo 1.9" x 8.8"
16	2	DE57	Decal, CropCare Logo 4 7/8" x 24"
17	1	DEMT3980	Decal, "Warning Avoid Injury Follow Labels"
18	14	FN12	Nut, Flange 1/2-13
19	12	FN38	Nut, Flange 3/8-16
20	4	FW12	Washer, Flat 1/2" USS
21	2	FW38	Washer, Flat 3/8"
22	4	H5C12*1	Bolt, Hex 1/2-13 x 1" Gr 5
23	2	H5C38*114	Bolt, Hex 3/8-16 x 1-1/4" Gr 5
24	2	H5C58*5	Bolt, Hex 5/8-11 x 5" Gr 5
25	2	LW34G8	Washer, Lock 3/4" Gr 8
26	2	LW58	Washer, Lock 5/8"
27	2	NC34G8	Nut, Hex 3/4-10 Gr 8
28	2	NC58	Nut, Hex 5/8-11
29	2	NNC38	Nut, Lock Nylon 3/8-16
30	2	SCC34*2	Screw, Socket Hd Cap 3/4-10 x 2"
31	1	SP500	Plate, Serial Number, CropCare
32	2	SS30	Tank strap, 110 & 150 gallon, gray
33	1	T11422G	Utility Trailer Sprayer, Hitch Mount
34	1	T1702	Utility Trailer Sprayer, Axle Mount
35	1	T1706A	Utility Trailer Sprayer, Boom Mount, Side A
36	1	T1706B	Utility Trailer Sprayer, Boom Mount, Side B
37	1	T1711	Utility Trailer Sprayer, Main Frame, 110-150 Gal. Tank
38	1	T570	Safety chain, 5/16"
39	1	T810	Trailer, Jack Mount Stub, Bolt-on
40	1	T856	Guide, Hose
41	1	TS3034P	Tank saddle, 110 gallon, gray

* See support page for component parts breakdowns.

AXS-UTX Breakdown

Utility Trailer Sprayer, Single Axle, 1000lb hubs, 23in Turf Tires (2000lb weight rating)



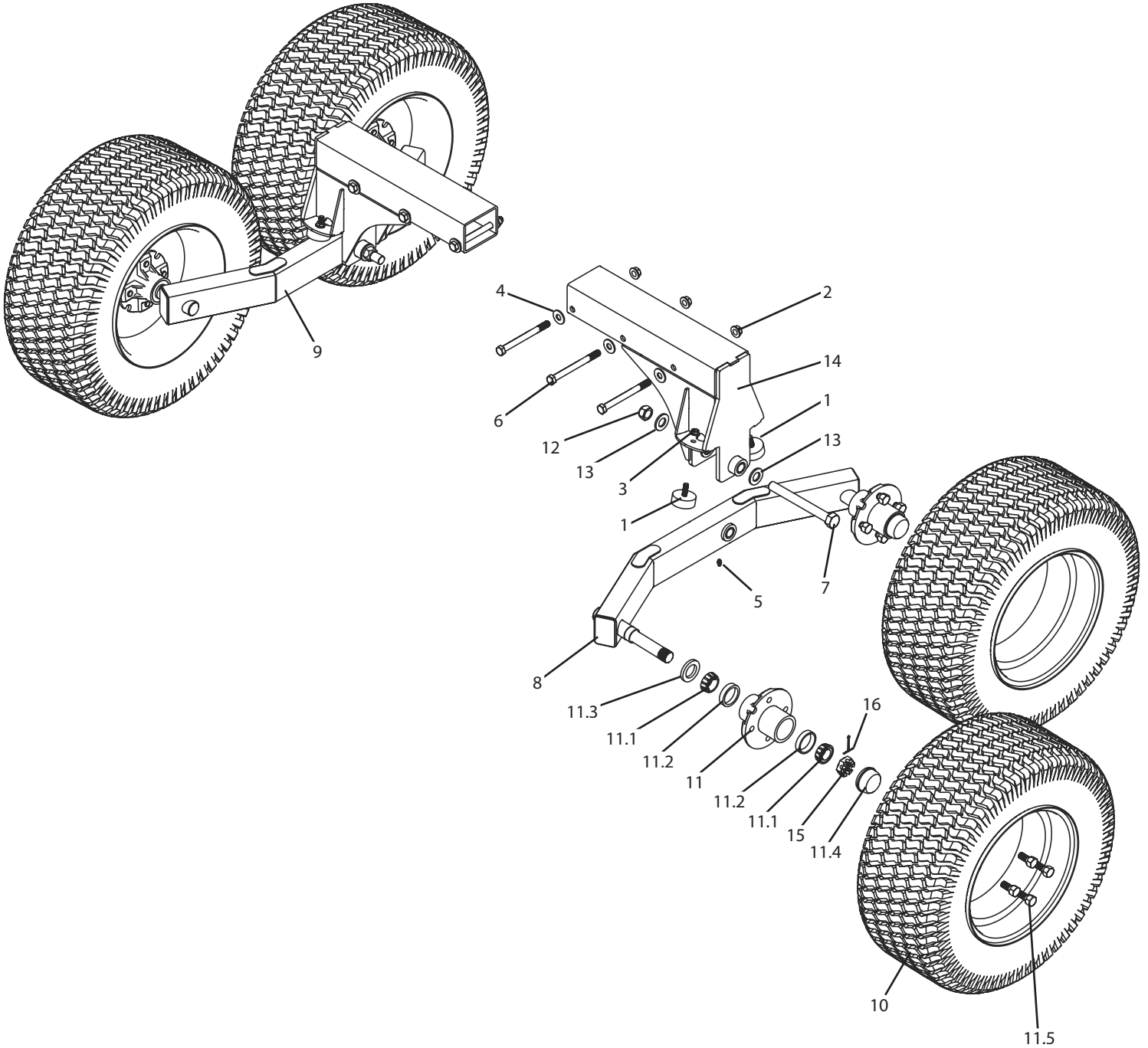
Ref#	Qty.	Part Number	Description
1	2	MWH4C	Hub, F/Wheel W-4" Bolt Center 1" T/Bearing
1.1	2	L44643	+ Tapered bearing, 1"
1.2	2	L44610	+ Bearing cup, 1.98" O.D.
1.3	1	12192VB	+ Oil seal, 1.25" I.D. x 1.979" O.D. x .25" W
1.4	1	1550	+ Hub cap, 1.988" O.D. x 1.21" I.D.
1.5	4	5400820	+ wheel bolt, 1/2-20 x 1"
2	2	KT315	Walking Beam Trailer, Wheel
3	2	T1705	Utility Trailer Sprayer, Axle, 1000lb spindle
4	6	FW12	Washer, Flat 1/2" USS
5	6	FN12	Nut, Flange 1/2-13
6	6	H5C12*512	Bolt, Hex 1/2-13 x 5-1/2" Gr 5
7	2	CJNF1	Nut, Castle Jam 1-14
8	2	CT18*2	Cotter Pin, 1/8" x 2" Zinc

* See support page for component parts breakdowns.

+ Items included in Item 1 (Quantity listed for these items is per hub).

AXT-UTX Breakdown

Utility Trailer Sprayer, Tandem Axle, 1000lb hubs, 23in Turf Tires (4000lb weight rating)



AXT-UTX Breakdown

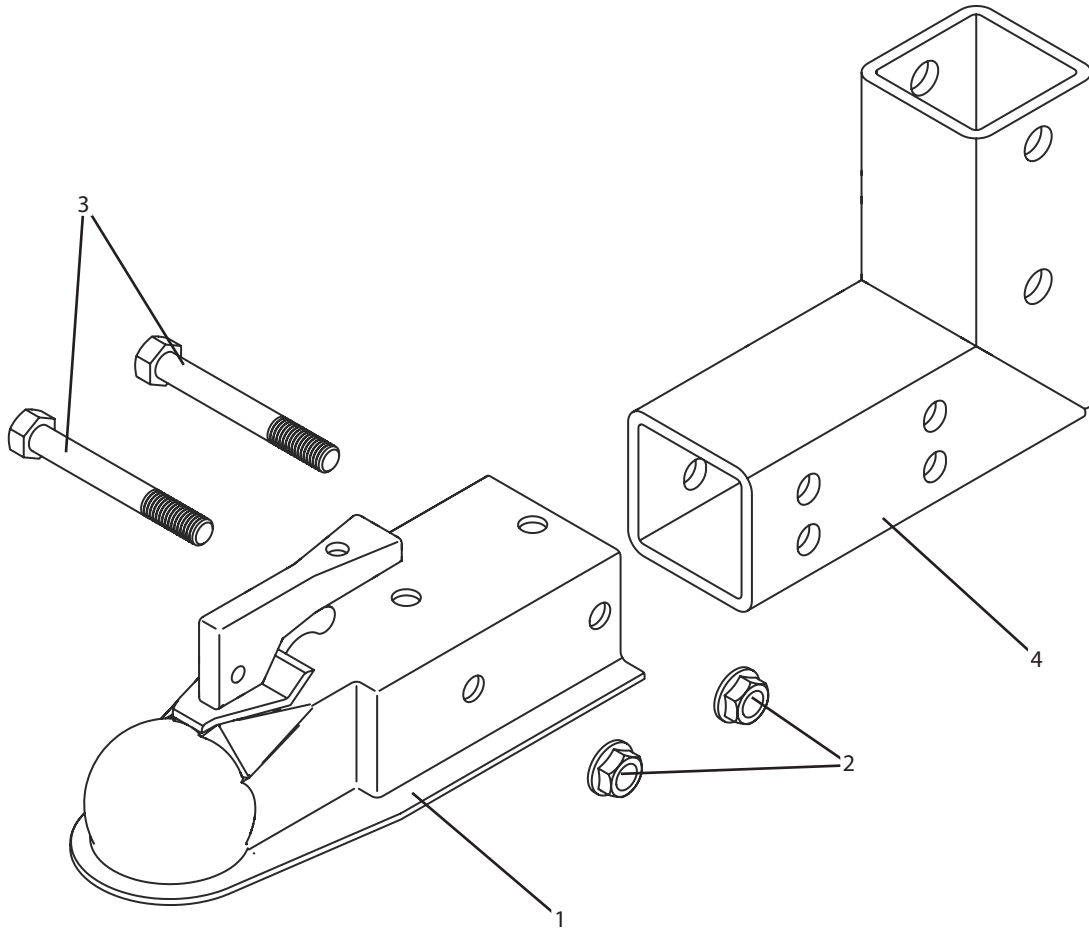
Ref#	Qty.	Part Number	Description
1	4	2NPG6	Mount, Rubber 2" O.D. 3/8-16 Stud
2	6	FN12	Nut, Flange 1/2-13
3	4	FN38	Nut, Flange 3/8-16
4	6	FW12	Washer, Flat 1/2" USS
5	2	GF101	Fitting, Grease 1/4-28 Straight
6	6	H5C12*512	Bolt, Hex 1/2-13 x 5-1/2" Gr 5
7	2	H8C34*7	Bolt, Hex 3/4-10 x 7" Gr 8
8	1	KT301A-SGB	Walking Beam Trailer, Axle, Side A, Black
9	1	KT301B-SGB	Walking Beam Trailer, Axle, Side B, Black
10	4	KT315	Walking Beam Trailer, Wheel & Tire Assembly
11	4	MWH4C	Hub, F/Wheel W-4" Bolt Center 1" T/Bearing
11.1	2	L44643	+ Tapered bearing, 1"
11.2	2	L44610	+ Bearing cup, 1.98" O.D.
11.3	1	12192VB	+ Oil seal, 1.25" I.D. x 1.979" O.D. x .25" W
11.4	1	1550	+ Hub cap, 1.988" O.D. x 1.21" I.D.
11.5	4	5400820	+ Bolt, Wheel 1/2-20 x 1"
12	2	SNC34	Nut, Lock Steel, 3/4-10
13	4	SW34	Washer, Flat 3/4" SAE
14	2	T1704	Utility Trailer Sprayer, Tandem Axle Pivot
15	4	CJNF1	Nut, Castle Jam 1-14
16	4	CT18*2	Cotter Pin, 1/8" x 2" Zinc

* See support page for component parts breakdowns.

+ Items included in Item 11 (Quantity listed for these items is per hub).

A261 Breakdown

Utility Trailer Sprayer, Ball Coupler Hitch



Ref#	Qty.	Part Number	Description
1	1	B0091065	Hitch, Ball Coupler, 2in Ball, Bolt on, 3in channel
2	2	FN12	Nut, Flange 1/2-13
3	2	H5C12*4	Bolt, Hex 1/2-13 x 4" Gr 5
4	1	T11422J	Utility Trailer Sprayer, Ball Hitch Mount